

Cator.

Used oil



No other liquid, toxic or hazardous waste in the world is generated in greater quantities than used oil.



The first EU Directive implemented in 1975 already set forth strict regulations concerning used oil.

“The traditional refining process requires 100 litres of petroleum to yield 2 litres of base oil”

“Through regeneration, 3 litres of used oil yields 2 litres of base oil to manufacture new lubricants”

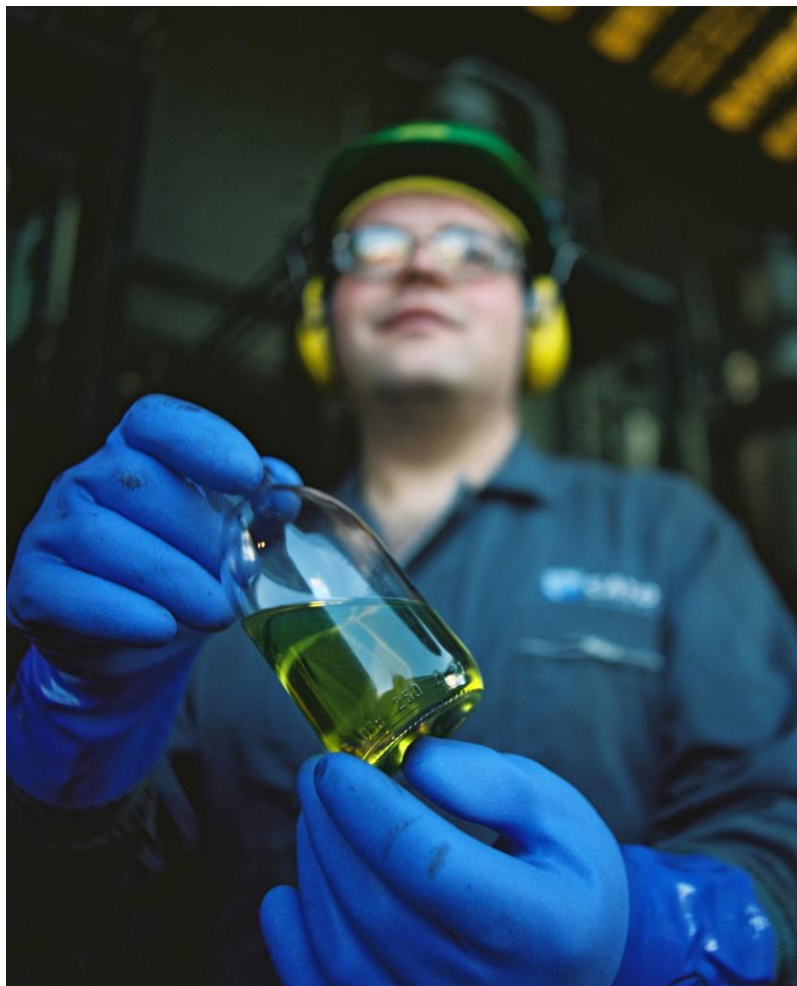


CATOR

- Founded in 1993 to design and implement the Integrated Management of Used Oil in Catalonia.
- Currently gathers and regenerates oil nationwide and from other countries.
- Since operations began, 560,000 tonnes of used oil has been regenerated by CATOR and a reduction of 1.5M tonnes of CO2 emissions has been achieved.
- Offers bespoke solutions for both government agencies and the private sector.



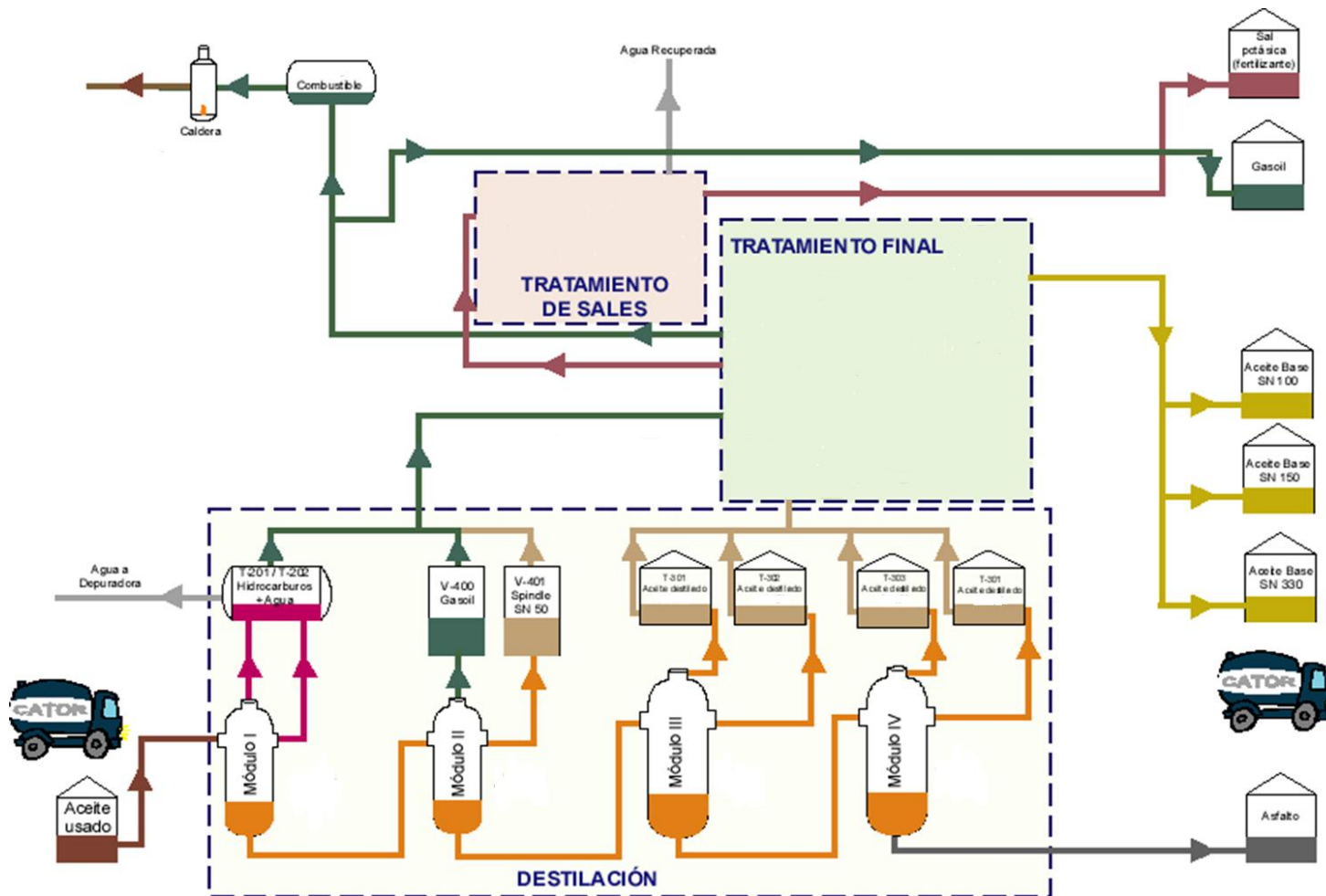
REGNERATION PLANT



REGNERATION PLANT

- Treatment capacity of 42,000 tonnes annually.
- Physio-chemical process of vacuum distillation using enhanced VAXON technology.
- Optimal energy use and minimum waste generation: Goal of zero waste.
- Premium quality products marketed.

PROCESS



HARNESSING OF RESOURCES

- Plant designed to minimise both energy use and waste generated:

Minimum waste generation

- Water purification plant
- Salt treatment plant

Optimal energy use

- Reuse of water
- Consumption of light fuels

Waste Water Treatment Plant at CATOR



PRODUCTS MARKETED

- The regeneration process gives rise to the yield and trade of premium quality products for various sectors:
 - **Regenoil®**: Base oil for lubricant manufacturing.
 - **Catorex**: Multi-use asphalt product.
 - **Potassium salts**: Used in fertilizer production.



SERVICES OFFERED

- Direct collection of used oil.
- Regeneration of used oil.
- Viability studies for regeneration plants.
- Design of Integrated Management Systems for Used Oils.
- Technological consultancy.
- Technical laboratory services for used oils and lubricants.



SOCIAL RESPONSIBILITY

- CATOR is the founding partner of the Spanish Network for the UN Global Compact.
- Collaborations with NGOs by financing charity projects.
- We actively promote sustainable development and generation through conferences and training sessions for schools held in our Alcover plant.



Cator.